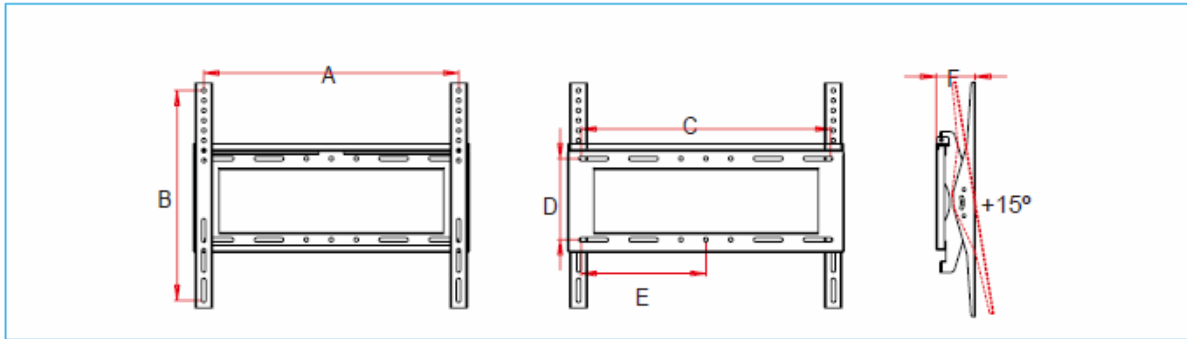


## Tilting TV Wall Mount MT-52



TECHNICAL SPECIFICATIONS		
A.	511mm	20.11"
B.	420mm	16.53"
C.	500mm	19.68"
D.	162mm	6.37"
E.	250mm	9.84"
F.	75mm	2.95"

- . Fits for 32"- 52"flat panel displays
- . Available in silver and black
- . Max load capacity:57kg
- . VESA:400x500
- . Tilt: +15°

